



# DUO ATEX HEADLAMP

**ATEX Directive  
94/9/EC  
Compliant**



- Completely hands free
- For head or hardhat use
- Pivoting head unit for accurate beam positioning
- Selectable LED or incandescent light source
- CE marked to ATEX Directive
- Explosive gas, vapour and mist certified for zones 1 & 2
- Rechargeable, supplied with "quick" battery charger
- Robust, ergonomic design
- Up to 7 hour battery duration when using bulb

#### ATEX Duo HT-01

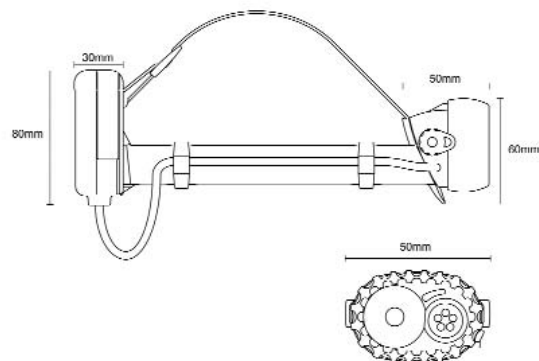
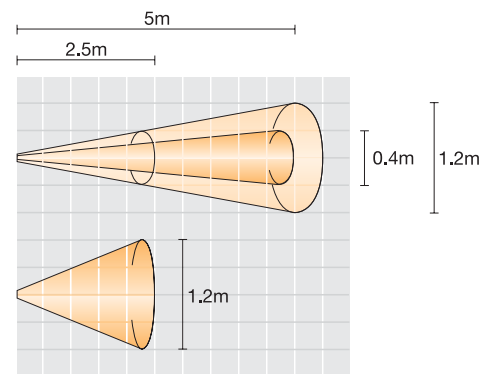
2W variable beam

Peak luminous intensity for spot beam (approx 4.5°) at 5m, 31lux

Peak luminous intensity for wide beam (approx 13.5°) at 5m, 14lux

0.5w LED BEAM

Peak luminous intensity (approx 27°) at 2.5m, 6.5lux



0035

**Quick Charge  
Long Duration**

The Duo ATEX is a rechargeable headband lamp approved for safe use in potentially explosive gas, vapour and mist atmospheres. It is the ideal lighting solution for workers in confined spaces and hazardous areas, needing a 'hands free' lamp, which will direct a beam of light wherever they look.

CE marking in compliance with the 94/9/EC explosive atmospheres 'ATEX' Directive confirms that the Duo ATEX is compliant with the latest European legislation, and is safe for use in zone 1 and 2 hazardous areas, where the T3 temperature class permits.

The Duo ATEX comprises of a head unit and a battery box joined by a cable, and mounted on an

elastic headband. Both head unit and battery box are sealed 'water resistant' and are constructed from high quality impact resistant plastic materials. The lens is shatterproof polycarbonate. The headband is adjustable, for use on a head or a hardhat. Helmet clips are available for hardhat use, as additional items, to secure the elasticated straps in place.

The Duo ATEX incorporates two light sources, selected using an externally mounted switch with lock feature to prevent accidental switching. The 2 watt filament bulb has a 'zoom' function, allowing beam adjustment from narrow spot to wide angle flood and gives a duration of up to 7 hours.

Alternatively, the bright, white LED light source offers energy efficient close-up illumination for up to 24 hours. The LEDs will run for up to 160 hours, but at a reduced light output. The head unit will pivot up or down for accurate beam positioning. A spare bulb is supplied, fitted inside the head unit.

The rechargeable battery pack is short-circuit protected to intrinsically safe levels and is safe to be removed and replaced in the hazardous area. The Duo ATEX is supplied with a mains "quick" charger, fully charging a completely discharged battery pack in 4 hours. Alternatively a vehicle charger is available to charge the battery from a 12v vehicle supply.

| <b>Duo ATEX Headlamp</b><br><i>Technical Specification</i> |   |                                |
|--|---|--------------------------------|
| <b>Product reference</b>                                   | <b>HT-01</b>                                |                                |
| <b>Product description</b>                                 | Rechargeable safety headband lamp E61L5UK   |                                |
| <b>Code</b>  | II 2 G EEx e ia IIC T3                      |                                |
| <b>Equipment category</b>                                  | 2 G   |                                |
| <b>Apparatus standards</b>                                 | EN50014, EN50019, EN50020                   |                                |
| <b>Type of protection</b>                                  | "e" increased safety, "ib" intrinsic safety |                                |
| <b>Area of classification (Gases)</b>                      | Zone 1 and 2, Gas groups IIA, IIB, IIC      |                                |
| <b>Temp. classification (Gases)</b>                        | T3  |                                |
| <b>Ambient temperature</b>                                 | -5°C to +40°C                               |                                |
| <b>Certificate</b>   | INERIS02ATEX0056                            |                                |
| <b>Enclosure</b>   | High impact thermoplastic                   |                                |
| <b>Lens</b>  | Polycarbonate                               |                                |
| <b>Beam type</b>   | Switchable from variable bulb to fixed LED  |                                |
| <b>Light source:</b>                                       | Pt. no.                                     | <b>HT-02</b>                   |
|  | Type  | Main vacuum bulb               |
|  | Volts                                       | 6V                             |
|  | Watts                                       | 2W                             |
| <b>Power source:</b>                                       | Pt. no.                                     | <b>HT-08</b>                   |
|  | Type  | Ni MH                          |
|  | Volts                                       | 4.8V                           |
|  | Capacity                                    | 2.7Ah                          |
|  | Life  | 500 cycles                     |
| <b>Light duration</b>                                      | Up to 7 hrs                                 | Up to 24 hrs                   |
| <b>Ingress protection</b>                                  | IP54  |                                |
| <b>Weight (incl. battery)</b>                              | 0.325 kg                                    |                                |
| <b>Charger reference</b>                                   | <b>Supplied with HT-01</b>                  | <b>HT-20</b>                   |
| <b>Product description</b>                                 | E65200 2UK,<br>230V Mains charger           | E65300,<br>12V Vehicle charger |
| <b>Insulation class</b>                                    | II  | III                            |
| <b>Enclosure</b>   | Plastic                                     | Plastic                        |
| <b>Input voltage</b>                                       | 230V  | 12V                            |
| <b>Recharge time</b>                                       | 4 hrs                                       | 14 hrs                         |
| <b>Ingress protection</b>                                  | IP20  | IP20                           |

Note: All information has been gathered under laboratory conditions, the user must regard the values given as approximate. The Company reserves the right to alter product specifications without prior notice.

## **WOLF SAFETY LAMP COMPANY**

**Saxon Road Works, Sheffield S8 0YA, England**

**Tel: +44 114 255 1051 Fax: +44 114 255 7988**

**E-mail: info@wolf-safety.co.uk Website: www.wolf-safety.co.uk**



**Wolf Safety Lamp Company**