



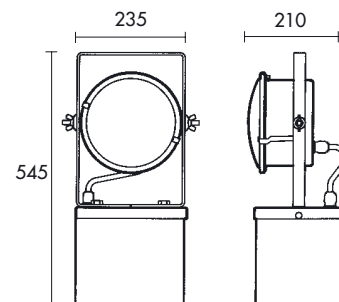
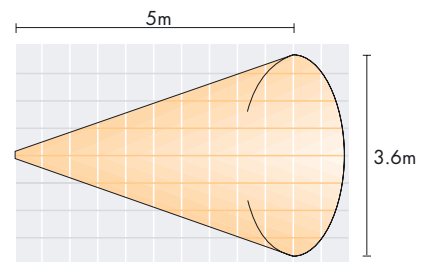
FLX INSPECTION FLOODLAMP



- **Diffused Flood Output**
- **Flameproof Protected Switch**
- **Fully Portable for Remote Areas**
- **6 Hour Light duration**
- **Fabricated Stainless Steel Construction**
- **High rate charger operable on site voltage**
- **Enhanced peak light output**



FLX Inspection/Floodlamp
18w flood beam (approx 40°)
Peak luminous intensity at 5m 50lux



A free-standing, BASEEFA approved Inspection Floodlamp for use in zones 1 and 2 hazardous areas, the FLX is commonly used for illumination in confined spaces for the performance of comparatively long duration work tasks. It is ideally suited for use in areas where no power source of any type is available but where a good level of illumination is essential.

The 6 volt, 18 watt bulb is protected by both an inner and outer lens, a crazed effect gives diffused illumination creating a wide angle spread of light with a powerful 8° beam centre. Power is provided by two rechargeable Sealed Lead Acid Batteries housed in a powder paint coated stainless steel box with the passivated steel lamp head mounted above. A carrying handle across the top gives ease of portability.

Charging is via a 90-277V input mains charger. When fully charged the FLX Inspection Floodlamp will give continuous output for up to 6 hours and recharges in 8 hours.

One of the key benefits of this product is that it is fully portable and does not have the restrictions of being connected to a power supply, but gives the level of illumination normally associated with larger, more permanent light fittings.

Recharging of the battery must be carried out in the non-hazardous area. The recharging socket is

situated in the battery compartment of the lid which must therefore be open at such times, ensuring good ventilation during charging. Spare parts are available and maintenance can be carried out by any competent technician.

Applications of use are in tank cleaning, the repair of sewers and underground services, in gas transmission plants, on offshore platforms, in pump rooms of tankers and for emergency services.

Each lamp is supplied with operation and maintenance instructions. Technical support is readily available from the company.

FLX Inspection/Floodlamp Technical Specification	
Product reference	FL-F86A
Product description	Rechargeable portable safety floodlamp
Code	Ex e d IIC T3
Apparatus standard	BS 4683, EN50 018
Type of protection	"e" increased safety, "d" flameproof
Area of classification	Zones 1 and 2, gas groups IIA, IIB and IIC
Temp. classification	T3
Ambient temperature	-20°C to +40°C
Certification	BASEEFA Certificate No. Ex 80345
Enclosure	Fabricated stainless steel, powder coated
Lens	Inner polycarbonate, outer polycarbonate
Beam type	Flood
Light source:	Pt no. FL-02
	Type Vacuum filament bulb
	Volts 6v
	Watts 18w
	Output 198lm
Life 400hrs	
Power source:	Pt. no. FL-32
	Type 2 x rechargeable batteries, sealed lead acid
	Volts 6v
	Capacity 2 x 10Ah
	Life up to 500 recharge cycles
Light duration	up to 6 hours
Ingress protection	IP 54
Weight	10.2kg

WOLF SAFETY LAMP COMPANY

Saxon Road Works, Sheffield S8 0YA, England
Tel: +44 114 255 1051 Fax: +44 114 255 7988

E-mail: info@wolf-safety.co.uk Website: www.wolf-safety.co.uk

MMD/PDF/11.02

