

SPARTAN FLOOD FL48C



LED Hazardous Area Floodlight Crane Luminaire

The SPARTAN Crane luminaire is designed specifically for use on Marine/Offshore boom cranes where high performance, high reliability, White-Light illumination is required to ensure the safety of crane operations. Using Raytec's field-proven, long-life LED technology, SPARTAN floodlights are ATEX and IEC Ex approved for all Zone 1 and Zone 2 applications and rated for T4 environments.

The SPARTAN Crane luminaire features a stainless steel rotary damper which ensures the unit always illuminates the area directly below the crane and prevents the luminaire swinging as the crane boom moves up and down. In an application where luminaires are subject to large amounts of vibration, existing traditional floodlights used in crane applications require constant maintenance to keep the luminaire in working order. In contrast, all LEDs are naturally resistant to vibration, while the SPARTAN Crane luminaire features LEDs and power supplies which are further encapsulated in a silicone rubber compound to increase the vibration resistance even further.

SPARTAN is designed to provide a high quality white light illumination to ensure safe operation of the crane for both operator and personnel working in the near vicinity, leading to improved productivity and a safer working environment.

SPARTAN uses CoolExtrude™ thermal management technology, ensuring a much cooler LED operating temperature and up to 60% better heat dissipation compared to traditional lighting solutions, allowing the product to operate for > 10 years while still delivering a high lumen output of up to 10,000 lumens.

Key Features

- ATEX and IEC Ex approved – Zone 1 & 2
UL/CSA approved, including C1D2
- ABS approved
- Rotary damper ensures light is constantly targeted where required
- Easy installation, maintenance and inspection
- Ultra long life LED
- High lumen output LED
- Wide operating temperature range of -10° to +55°C
- Two anchor points for safety suspension cord
- 5 year warranty

Why Raytec

- UK Designed & Manufactured
- Manufacturing precision engineered LED products
- Worldwide distributor support
- Lighting design and full technical support
- ISO9001 and ISO140001 accredited
- Award Winning Technology



Extended Features

Ultra-Powerful

High lumen output - up to 10,000 lumens
Latest high power LED technology

Ultra-Flexible

Operating temperature range of -10°C to + 55°C with a T4 rating for even the most challenging conditions.

Ultra-Reliable

Industry leading 5 year warranty
Designed & manufactured in the UK to the highest standards including both ISO9001 & ISO14001.
Advanced electronics and LED's protected by vibration resistant and water proof potting compound.
Built with marine grade aluminium and marine grade 316L stainless steel bracketry for long life.

Ultra-Modular

Both the LED and PSU modules are easily accessible for maintenance and inspection
Removable PSU housings allows power supply to be fitted remotely

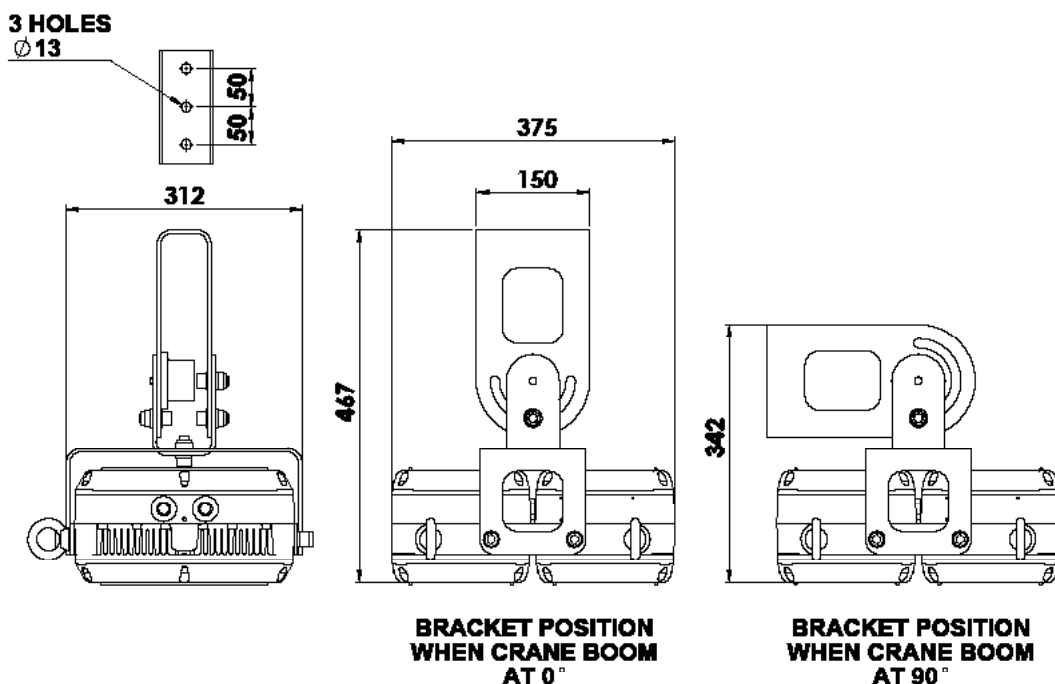
Ultra-Efficient

COOLEXTRUDE™ thermal management delivers class leading energy efficiency
Significant running and maintenance savings compared to traditional lighting technologies
SMART access wiring system for safe and efficient installation, set-up and ongoing inspection

Ultra-Support

Photometric files available (.ies & .ldt)
Full Lighting Design Service
Site specific Energy and Cost Saving Report available

Product Dimensions



Technical Specifications

Certification

ATEX Rating:	ATEX and IEC Ex rated for Gas and Dust
Hazardous Area rating:	Zone 1 & 2 – Gas and Dust
Certificates:	CML13ATEX3007 & IEC Ex CML 14.0001 UL/CSA including C1D2 ABS certification number 15-LD1364539
Gas:	II 2 GD Ex emb IIC T4 Gb Ta -10°C to +55°C
Dust:	Ex tb IIIC T82°C Db IP66 & IP67 - Ta -10°C to +55°C

Electrical

Input:	110-254V 50/60Hz AC only Low voltage option also available - 18-30V AC/DC
Power:	Standard - 136W
Termination:	Incoming terminal block suitable for looping 4 core 4mm ² cable
Power Factor	>0.95
Cable entries	2xM20 as standard (other entries available upon request), dispatched complete with one ATEX/ IEC Ex approved blanking plug

Optical

Lumen output on mains:	Up to 10,000 lm
LED type:	Platinum Elite SMT LEDs
Number of LEDs:	48
CRI:	70+
Colour Temperature:	6,000K+

Mechanical/Environmental

Burning position:	Universal
IP rating:	IP66 & IP67
Temperature range:	-10°C to +55°C
Weight:	25kg (55.1lbs)
Enclosure:	Marine grade aluminium epoxy powder coated, toughened glass, all external fasteners and brackets are marine grade stainless steel
Unit Colour:	Silver (RAL 9006)
Installation instructions:	Raytec ref 910-M-0186 Please contact Raytec for copy
Dimensions:	See previous page
Mounting:	Via 3 x M12 bolts (not supplied) Two anchor points provided for use with safety cord (not supplied)

Part Codes

Description (T4 variants as standard)

SPX-FL48C-W-1010

SPARTAN Flood Crane Luminaire, 48 LED, White-Light, 10°x 10° beam

For low voltage versions add '-LV' to the above codes (standard only)
Contact Raytec for T5 and T6 variants

Other Products in the SPARTAN Hazardous Area Family

SPARTAN Flood 12



SPARTAN Flood 24



SPARTAN Bulkhead 24



SPARTAN Linear 2'
2 x 18W equivalent

SPARTAN Linear 4'
2 x 36W equivalent

