



PRODUCT OVERVIEW

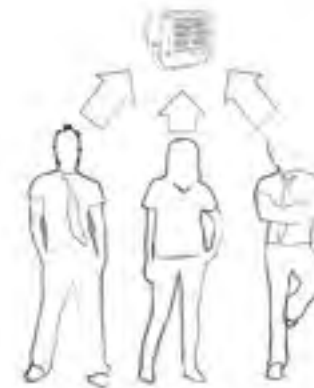


Hazardous Area Luminaires



UK Designed and Manufactured

All Raytec hazardous area products are designed and manufactured in the UK and are ATEX and IEC Ex approved. We're so confident in them that all our products come with a 5 year warranty. Raytec and all our products are also ISO9001 and ISO14001 certified.



Lighting Specialists

Raytec and all our people are 100% focused on lighting. Everything from product design, to manufacture, to sales and after sales service is under one roof at our Global HQ.



Full Product Family

Raytec manufacture a full range of hazardous area lighting with SPARTAN Flood, Linear, Bulkhead and Transportable, meaning there's a solution for any application.

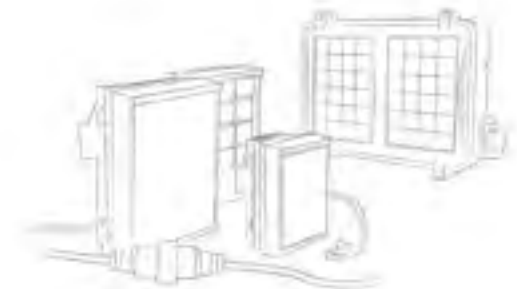
rayTEC[®]



Global Reach

Based at our HQ, near Newcastle, UK, we also have sales offices in Canada, Australia, Germany and China.

Our products are successfully deployed globally from the Arctic Circle to the Jungles of Borneo.



Our Background

Founded in 2005, Raytec are the world leaders in LED lighting for security and safety, with over half a million products currently in service. We've used our expertise to create SPARTAN – a new range of Hazardous Area lighting which delivers class leading performance and reliability.

SPARTAN FLOOD



SPARTAN Flood is a complete family of hazardous area floodlights. Available in 3 sizes and as standard or emergency variants, SPARTAN delivers the highest performance, most energy efficient, modular and maintenance friendly solution for hazardous environments.

SPARTAN LINEAR



SPARTAN Linear luminaires are available as standard or emergency variants and are designed for new installations or to retrofit existing fluorescent installations, easily allowing the customer to enjoy all the benefits of LED lighting while making regular lamp changes redundant.

SPARTAN BULKHEAD



SPARTAN Bulkhead is a compact, low profile luminaire designed for restricted space applications. SPARTAN Bulkhead provides the highest performance and efficiency while maintaining excellent reliability. SPARTAN Bulkhead luminaires are available as standard or emergency variants.

SPARTAN TRANSPORTABLE



The SPARTAN Transportable range provides all the benefits associated with the SPARTAN Flood, Linear and Bulkhead products but in a transportable version to maximise flexibility and functionality, increasing suitability for a wider range of applications.



ATEX and IEC Ex
Approved Zone 1 and 2
UL/CSA approved
including C1D2



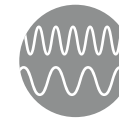
American Bureau of
Shipping approval



5 Year Warranty



UK Designed and
Manufactured



Available in White-Light
and Infra-Red



Emergency Variants
Available

SPARTAN FLOOD



Robust

Housed in marine grade aluminium with A4 stainless steel fasteners and brackets, SPARTAN Flood is IP66 and IP67 rated and can survive in the most extreme environments.

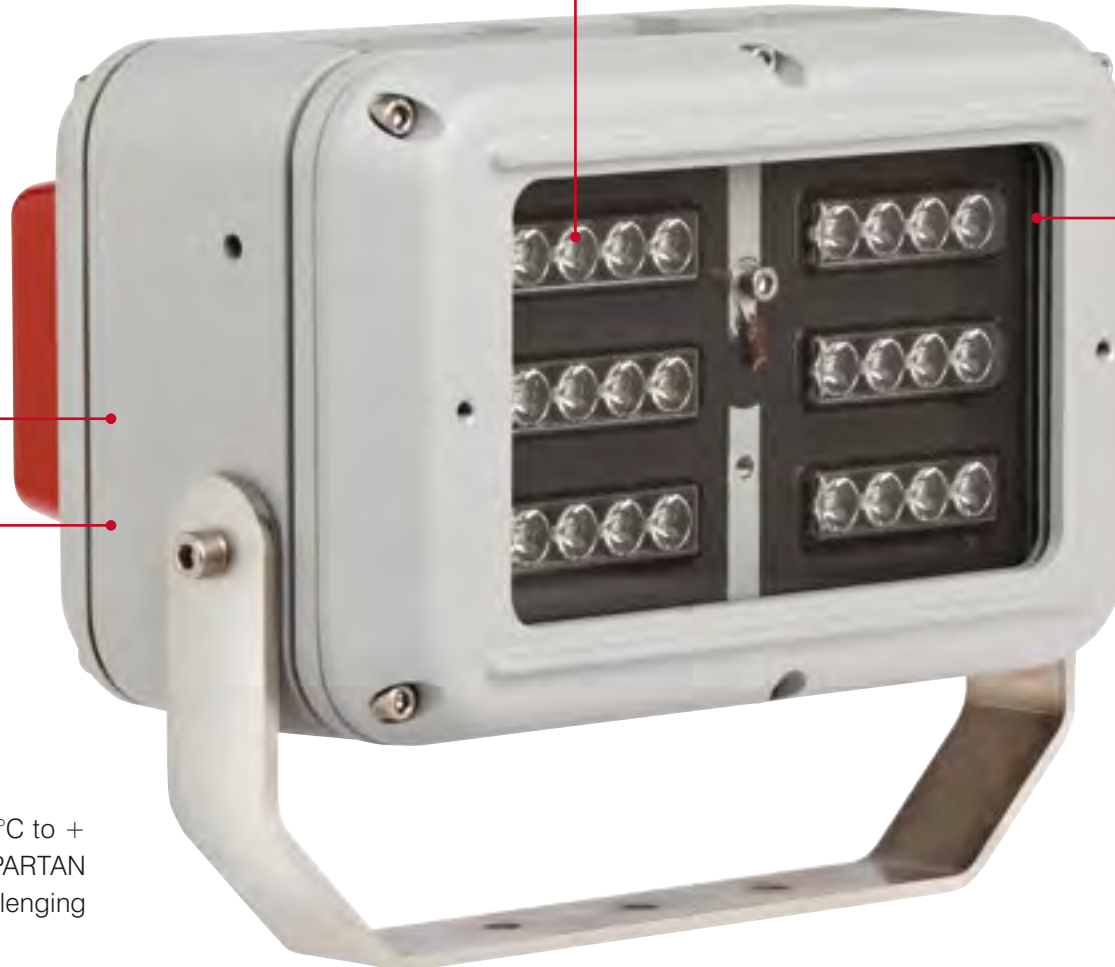
Wide Operating Temperature

An operating temperature range of -50°C to +55°C* with a T4/T5/T6 rating means SPARTAN Flood is suitable for even the most challenging conditions.

* Emergency variants have an operating temperature of -20°C to +55°C

Ultra-Powerful

SPARTAN Flood integrates the latest high power LEDs with Raytec's field proven LED management and optic technology. This delivers a high lumen output of up to 10,000 lumens even during emergency operation when running off the integral battery.



VARIO Technology

SPARTAN Flood is available with a variety of different beam patterns, both circular and elliptical. Elliptical illumination angles can be altered on-site with our unique VARIO interchangeable lens system.

LED Friendly

SPARTAN Flood uses CoolExtrude™ thermal management technology, ensuring a much cooler LED operating temperature. This provides up to 60% better heat dissipation compared to traditional lighting solutions and allows the product to operate for 10+ years in the most challenging environments.



Emergency Back-Up

SPARTAN Flood* is available as an emergency variant, and standard variants can be converted to an emergency fitting at any time on-site, using an additional battery back-up module which can deliver up to 100% light output under emergency conditions.

** Excludes SPARTAN Flood WL12 and IR12*

Flexible Installation and Low Maintenance

The modular design allows great flexibility – the entire PSU chassis can be removed and located remotely at ground level for areas with difficult access. Additionally the individual PSU modules can be easily accessed and replaced making servicing and inspection of all key components quicker and easier.

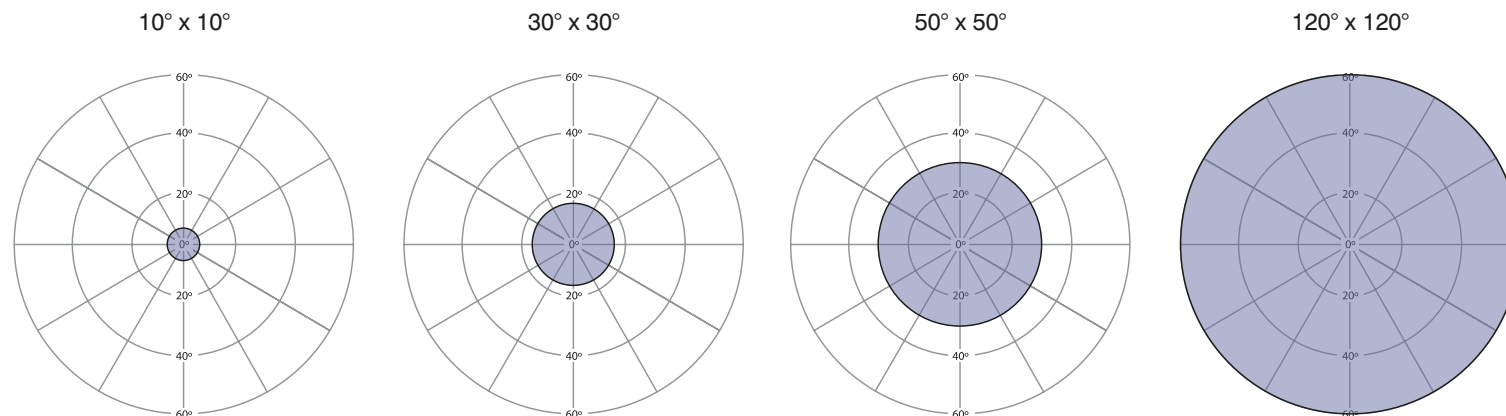


Beam Patterns

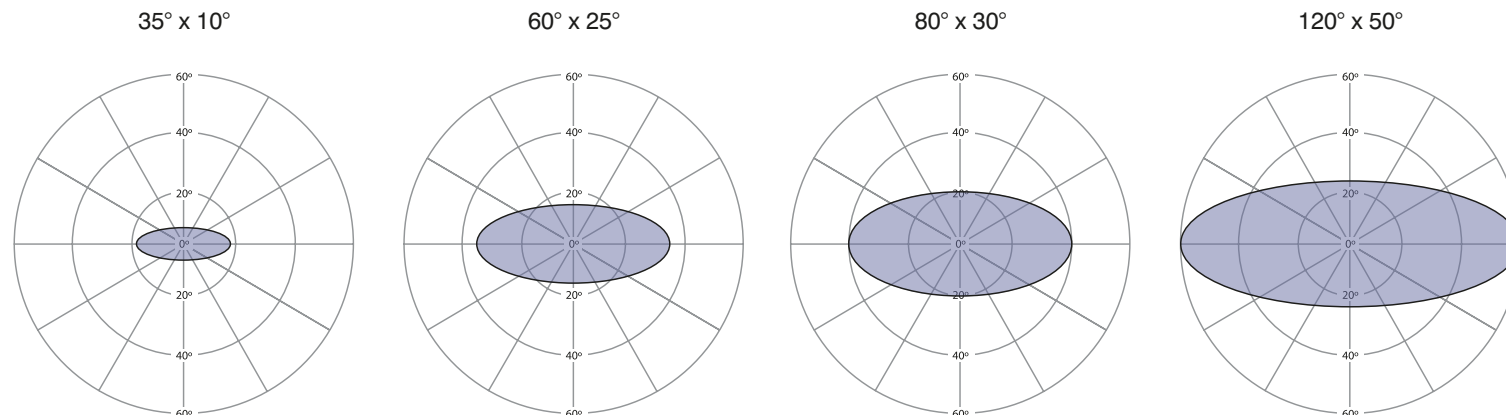
Raytec offer a range of different interchangeable beam patterns that can be easily altered on site delivering the ultimate flexibility to specifiers, distributors and end users.

The circular beam patterns maximise light output while the elliptical beam patterns use Raytec's revolutionary VARIO holographic lens technology to shape the light providing greater illumination distances with significantly reduced energy wastage.

BEAM PATTERNS - CIRCULAR



BEAM PATTERNS – ELLIPTICAL (VARIO)





**SPARTAN
FLOOD WL48**



**SPARTAN
FLOOD WL48 Emergency**



**SPARTAN
FLOOD WL24**



**SPARTAN
FLOOD WL24 Emergency**



**SPARTAN
FLOOD WL12**

| | | | | | |
|---|--|--|--|--|--|
| Certification | ATEX and IEC Ex rated for zone 1&2 Gas and Dust UL/CSA including C1D2 | ATEX and IEC Ex rated for zone 1&2 Gas and Dust UL/CSA including C1D2 (pending) | ATEX and IEC Ex rated for zone 1&2 Gas and Dust UL/CSA including C1D2 | ATEX and IEC Ex rated for zone 1&2 Gas and Dust UL/CSA including C1D2 (pending) | ATEX and IEC Ex rated for zone 1&2 Gas and Dust UL/CSA including C1D2 |
| Angles | 10°x10° / 35°x10° / 60°x25° / 80°x30° / 120°x50° + 30, 50 and 120° circular options | 10°x10° / 35°x10° / 60°x25° / 80°x30° / 120°x50° + 30, 50 and 120° circular options | 10°x10° / 35°x10° / 60°x25° / 80°x30° / 120°x50° + 30, 50 and 120° circular options | 10°x10° / 35°x10° / 60°x25° / 80°x30° / 120°x50° + 30, 50 and 120° circular options | 10°x10° / 35°x10° / 60°x25° / 80°x30° / 120°x50° + 30, 50 and 120° circular options |
| Input | 110-254V 50/60Hz AC only 18-30V AC/DC | 110-254V 50/60Hz AC only | 110-254V 50/60Hz AC only 18-30V AC/DC | 110-254V 50/60Hz AC only | 110-254V 50/60Hz AC only 18-30V AC/DC |
| Beam Shape | Elliptical or Circular | Elliptical or Circular | Elliptical or Circular | Elliptical or Circular | Elliptical or Circular |
| Beam Angle System | VARIO interchangeable lens system (elliptical) / Fixed (circular) | VARIO interchangeable lens system (elliptical) / Fixed (circular) | VARIO interchangeable lens system (elliptical) / Fixed (circular) | VARIO interchangeable lens system (elliptical) / Fixed (circular) | VARIO interchangeable lens system (elliptical) / Fixed (circular) |
| Consumption | 136W | 139W | 68W | 71W | 34W |
| LED type | Platinum Elite SMT LEDs | Platinum Elite SMT LEDs | Platinum Elite SMT LEDs | Platinum Elite SMT LEDs | Platinum Elite SMT LEDs |
| Number of LEDs | 48 | 48 | 24 | 24 | 12 |
| Power output (luminous flux) | Up to 10,000 lm – circular beam Up to 9,000 lm – elliptical beam | Up to 10,000 lm – circular beam Up to 9,000 lm – elliptical beam | Up to 5,000 lm – circular beam patterns Up to 4,500 lm – elliptical beam patterns | Up to 5,000 lm – circular beam patterns Up to 4,500 lm – elliptical beam patterns | Up to 2,500 lm – circular beam patterns Up to 2,250 lm – elliptical beam patterns |
| Wavelength | White-Light (also available in Infra-Red) | White-Light (also available in Infra-Red) | White-Light (also available in Infra-Red) | White-Light (also available in Infra-Red) | White-Light (also available in Infra-Red) |
| IP Rating | IP66 and IP67 | IP66 and IP67 | IP66 and IP67 | IP66 and IP67 | IP66 and IP67 |
| Temperature Range | -50°C to +55°C (-58°F to 131°F) | -20°C to +55°C (-4°F to 131°F) | -50°C to +55°C (-50°F to 131°F) | -20°C to +55°C (-4°F to 131°F) | -50°C to +55°C (-50°F to 131°F) |
| Colour Temperature (White-Light) | 6,000K + | 6,000K + | 6,000K + | 6,000K + | 6,000K + |
| Colour | Silver/Grey | Silver/Grey | Silver/Grey | Silver/Grey | Silver/Grey |
| Weight | 16kg (35.2lbs) | 20kg (44lbs) | 8kg (17.6lbs) | 10kg (22lbs) | 5kg (11lbs) |
| Dimensions | 291 x 438 x 151mm (11.4 x 17.2 x 5.9") | 291 x 438 x 215mm (11.4 x 17.2 x 8.5") | 291x247x150mm (11.5x9.7x6") | 291x247x215mm (11.5x9.7x8.5") | 192 x 206 x 170mm (7.6 x 8.1 x 6.7") |
| Additional Features | CoolExtrude™ Thermal Management Removable PSU and LED modules Smart access wiring system Photocell (optional) T4, T5 and T6 Variants | CoolExtrude™ Thermal Management Removable PSU and LED modules Smart access wiring system Photocell (optional) T4, T5 and T6 Variants | CoolExtrude™ Thermal Management Removable PSU and LED modules Smart access wiring system Photocell (optional) T4, T5 and T6 Variants | CoolExtrude™ Thermal Management Removable PSU and LED modules Smart access wiring system Photocell (optional) T4, T5 and T6 Variants | CoolExtrude™ Thermal Management Removable PSU and LED modules Smart access wiring system Photocell (optional) T4, T5 and T6 Variants |

Emergency Battery Back-up

| | | |
|--------------------|--|---|
| Battery | Ni/Cd 12V 4.5Ah | Ni/Cd 12V 4.5Ah |
| Duration | Up to 2hrs @ 25% power (1 x battery unit) Other options available | Up to 2hrs @ 50% power Other options available |
| Charge Time | 20 hours | 20 hours |

Part Codes

| | | | | | |
|--------------------------------|--|--|--|--|--|
| Circular beam pattern | SPX-FL48-W-1010 / SPX-FL48-W-3030 SPX-FL48-W-5050 / SPX-FL48-W-120120 | SPX-FL48-W-1010-EM25 / SPX-FL48-W-3030-EM25 SPX-FL48-W-5050-EM25 / SPX-FL48-W-120120-EM25 | SPX-FL24-W-1010 / SPX-FL24-W-3030 SPX-FL24-W-5050 / SPX-FL24-W-120120 | SPX-FL24-W-1010-EM50 / SPX-FL24-W-3030-EM50 SPX-FL24-W-5050-EM50 / SPX-FL24-W-120120-EM50 | SPX-FL12-W-1010 / SPX-FL12-W-3030 SPX-FL12-W-5050 / SPX-FL12-W-120120 |
| Elliptical beam pattern | SPX-FL48-W-3510 / SPX-FL48-W-6025 SPX-FL48-W-8030 / SPX-FL48-W-12050 | SPX-FL48-W-3510-EM25 / SPX-FL48-W-6025-EM25 SPX-FL48-W-8030-EM25 / SPX-FL48-W-12050-EM25 | SPX-FL24-W-3510 / SPX-FL24-W-6025 SPX-FL24-W-8030 / SPX-FL24-W-12050 | SPX-FL24-W-3510-EM50 / SPX-FL24-W-6025-EM50 SPX-FL24-W-8030-EM50 / SPX-FL24-W-12050-EM50 | SPX-FL12-W-3510 / SPX-FL12-W-6025 SPX-FL12-W-8030 / SPX-FL12-W-12050 |

SPARTAN LINEAR



LED Friendly

SPARTAN Linear uses CoolExtrude™ thermal management technology, ensuring a much cooler LED operating temperature. This provides up to 60% better heat dissipation compared to traditional lighting solutions and allows the product to operate for 10+ years in the most challenging environments.

Robust

Housed in marine grade aluminium with stainless steel fasteners and brackets, SPARTAN Linear is IP66 and IP67 rated and can survive in the most extreme environments.

Wide Operating Temperature

An operating temperature range of -40°C to + 55°C with a T4/T5/T6 rating means SPARTAN Linear is suitable for even the most challenging conditions.

Retrofitable

SPARTAN Linear is a direct replacement for fluorescent fittings, meaning you can upgrade to LED light without complication.

Easy Maintenance

A maintenance friendly modular design allows quick and easy servicing and inspection of all key components including LED and PSU modules. SPARTAN Linear has also been designed without ledges to prevent dust or water from accumulating.



Emergency Back-Up

SPARTAN Linear is available as an emergency variant, and standard variants can be converted to an emergency fitting at any time on-site, using an additional battery back-up module which can run up to 100% light output under emergency conditions.



SPARTAN
LINEAR WL168



SPARTAN
LINEAR WL168 Emergency



SPARTAN
LINEAR WL84



SPARTAN
LINEAR WL84 Emergency

| | | | | |
|----------------------------------|---|---|---|---|
| Certification | ATEX and IEC Ex rated for zone 1&2 Gas and Dust UL/CSA including C1D2 | ATEX and IEC Ex rated for zone 1&2 Gas and Dust UL/CSA including C1D2 (pending) | ATEX and IEC Ex rated for zone 1&2 Gas and Dust UL/CSA including C1D2 | ATEX and IEC Ex rated for zone 1&2 Gas and Dust UL/CSA including C1D2 (pending) |
| Input | 110-254V 50/60Hz AC only 18-30V AC/DC | 110-254V 50/60Hz AC only | 110-254V 50/60Hz AC only 18-30V AC/DC | 110-254V 50/60Hz AC only |
| Beam Angle | Equivalent to 2 x 36W T8 fluorescent | Equivalent to 2 x 36W T8 fluorescent | Equivalent to 2 x 18W T8 fluorescent | Equivalent to 2 x 18W T8 fluorescent |
| Consumption | 68W | 71W | 34W | 37W |
| LED type | Platinum SMT LEDs | Platinum SMT LEDs | Platinum SMT LEDs | Platinum SMT LEDs |
| Number of LEDs | 168 | 168 | 84 | 84 |
| Power output | Equivalent to 2 x 36W T8 fluorescent | Equivalent to 2 x 36W T8 fluorescent | Equivalent to 2 x 18W T8 fluorescent | Equivalent to 2 x 18W T8 fluorescent |
| Wavelength | White-Light | White-Light | White-Light | White-Light |
| IP Rating | IP66 and IP67 | IP66 and IP67 | IP66 and IP67 | IP66 and IP67 |
| Temperature Range | -40°C to +55°C (-40°F to 131°F) | -20°C to +50°C (-4°F to 122°F) | -40°C to +55°C (-40°F to 131°F) | -20°C to +50°C (-4°F to 122°F) |
| Colour Temperature (white-light) | 6,000K + | 6,000K + | 6,000K + | 6,000K + |
| Colour | Silver/Grey | Silver/Grey | Silver/Grey | Silver/Grey |
| Weight | 9kg (19.8lbs) | 10kg (22lbs) | 6kg (13.2lbs) | 7kg (15.4lbs) |
| Dimensions | 1292 x 108 x 174mm (50.9 x 4.3 x 6.9") | 1407 x 108 x 174mm (53.4 x 4.3 x 6.9") | 772 x 108 x 174mm (30.4 x 4.3 x 6.9") | 772 x 108 x 174mm (30.4 x 4.3 x 6.9") |
| Additional Features | CoolExtrude™ Thermal Management Removable PSU and LED modules Smart access wiring system Photocell (optional) T4, T5 and T6 Variants (T4 as standard) | CoolExtrude™ Thermal Management Removable PSU and LED modules Smart access wiring system Photocell (optional) T4, T5 and T6 Variants (T4 as standard) | CoolExtrude™ Thermal Management Removable PSU and LED modules Smart access wiring system Photocell (optional) T4, T5 and T6 Variants (T4 as standard) | CoolExtrude™ Thermal Management Removable PSU and LED modules Smart access wiring system Photocell (optional) T4, T5 and T6 Variants (T4 as standard) |

Emergency Battery Back-up

| | | |
|-------------|---|---|
| Battery | Ni/Cd 12V | Ni/Cd 12V |
| Duration | Up to 3hrs @ 25% power Other options available | Up to 3hrs @ 25% power Other options available |
| Charge Time | 20 hours | 20 hours |

Part Codes

| | | | |
|-----------|----------------|----------|---------------|
| SPX-WL168 | SPX-WL168-EM25 | SPX-WL84 | SPX-WL84-EM25 |
|-----------|----------------|----------|---------------|

SPARTAN BULKHEAD



LED Friendly

SPARTAN Bulkhead uses CoolExtrude™ thermal management technology, ensuring a much cooler LED operating temperature. This provides up to 60% better heat dissipation compared to traditional lighting solutions and allows the product to operate for 10+ years in the most challenging environments.

Robust

Housed in marine grade aluminium with stainless steel fasteners and brackets, SPARTAN Bulkhead is IP66 and IP67 rated and can survive in the most extreme environments.

VARIO Technology

SPARTAN Bulkhead is available with a variety of different beam patterns, both circular and elliptical. Elliptical illumination angles can be altered on-site with our unique VARIO interchangeable lens system.

Emergency Back-Up

SPARTAN Bulkhead is available as an emergency variant, and standard variants can be converted to an emergency fitting at any time on-site, using an additional battery back-up module which can run up to 100% light output under emergency conditions.

Compact

SPARTAN Bulkhead has a compact, low profile design for restricted space applications. It also allows easy access to the back of the unit with rear cable entries, so cabling can be hidden and protected from damage.

Wide Operating Temperature

An operating temperature range of -50°C to +46°C* with a T4/T5/T6 rating means SPARTAN Bulkhead is suitable for even the most challenging conditions.

* Emergency variants have an operating temperature of -20°C to +46°C





SPARTAN
BULKHEAD BL24



SPARTAN
BULKHEAD BL24 Emergency

| | | |
|----------------------------------|---|---|
| Certification | ATEX and IEC Ex rated for zone 1&2 Gas and Dust UL/CSA including C1D2 (pending) | ATEX and IEC Ex rated for zone 1&2 Gas and Dust UL/CSA including C1D2 (pending) |
| Angles | 10°x10° / 35°x10° / 60°x25° / 80°x30° / 120°x50° + 30, 50 and 120° circular options | 10°x10° / 35°x10° / 60°x25° / 80°x30° / 120°x50° + 30, 50 and 120° circular options |
| Input | 110-254V 50/60Hz AC only 18-30V AC/DC | 110-254V 50/60Hz AC only |
| Beam Shape | Elliptical or Circular | Elliptical or Circular |
| Beam Angle System | VARIO interchangeable lens system (elliptical) / Fixed (circular) | VARIO interchangeable lens system (elliptical) / Fixed (circular) |
| Consumption | 34W | 37W |
| LED type | Platinum Elite SMT LEDs | Platinum Elite SMT LEDs |
| Number of LEDS | 24 | 24 |
| Power output (luminous flux) | Up to 2,500 lm – circular beam patterns Up to 2,250 lm – elliptical beam patterns | Up to 2,500 lm – circular beam patterns Up to 2,250 lm – elliptical beam patterns |
| Wavelength | White-Light (also available in Infra-Red) | White-Light (also available in Infra-Red) |
| IP Rating | IP66 and IP67 | IP66 and IP67 |
| Temperature Range | -50°C to +46°C (-58°F to 114°F) | -20°C to +46°C (-4°F to 114°F) |
| Colour Temperature (White-Light) | 6,000K + | 6,000K + |
| Colour | Silver / Grey | Silver / Grey |
| Weight | 5kg (11lbs) | 6kg (13.2lbs) |
| Dimensions | 288 x 220x 122mm (11.3 x 8.7 x 4.8") | 288 x 220x 122mm (11.3 x 8.7 x 4.8") |
| Additional Features | CoolExtrude™ Thermal Management Removable PSU and LED modules Smart access wiring system Photocell (optional) T4 and T5 Variants (T4 as standard) | CoolExtrude™ Thermal Management Removable PSU and LED modules Smart access wiring system Photocell (optional) T4 and T5 Variants (T4 as standard) |
| Emergency Battery Back-up | | |
| Battery | | Ni/cd 12V |
| Duration | | Up to 3hrs @ 25% power Other options available |
| Charge Time | | 25 hours |
| Part Codes | | |
| Circular beam pattern | SPX-BL24-W-1010 SPX-BL24-W-3030 SPX-BL24-W-5050 SPX-BL24-W-120120 | SPX-BL24-W-1010-EM25 SPX-BL24-W-3030-EM25 SPX-BL24-W-5050-EM25 SPX-BL24-W-120120-EM25 |
| Elliptical beam pattern | SPX-BL24-W-3510 SPX-BL24-W-6025 SPX-BL24-W-8030 SPX-BL24-W-12050 | SPX-BL24-W-3510-EM25 SPX-BL24-W-6025-EM25 SPX-BL24-W-8030-EM25 SPX-BL24-W-12050-EM25 |

SPARTAN

TRANSPORTABLE



Transportable

Fully transportable for use in a diverse range of applications.

LED Friendly

SPARTAN Transportable uses CoolExtrude™ thermal management technology, ensuring a much cooler LED operating temperature. This provides up to 60% better heat dissipation compared to traditional lighting solutions and allows the product to operate for 10+ years in the most challenging environments.

Wide Operating Temperature

An operating temperature range of -50°C to + 55°C with a T4/T5/T6 rating means SPARTAN Transportable is suitable for even the most challenging conditions.



Easy Maintenance

A maintenance friendly modular design allows quick and easy servicing and inspection of all key components including LED and PSU modules.

VARIO Technology

SPARTAN Transportable is available with a variety of different beam patterns, both circular and elliptical. Elliptical illumination angles can be altered on-site with our unique VARIO interchangeable lens system.*

* Excludes SPARTAN Linear Transportable variants

The SPARTAN Transportable range is also available in a number of other variants, including emergency and infra-red versions. Contact us for more information.



| | | | |
|----------------------------------|---|---|---|
| Certification | ATEX and IEC Ex rated for zone 1&2 Gas and Dust UL/CSA including C1D2 | ATEX and IEC Ex rated for zone 1&2 Gas and Dust UL/CSA including C1D2 (pending) | ATEX and IEC Ex rated for zone 1&2 Gas and Dust UL/CSA including C1D2 (pending) |
| Angles | 10°x10° / 35°x10° / 60°x25° / 80°x30° 120°x50° / + 30, 50 and 120° circular options | 10°x10° / 35°x10° / 60°x25° / 80°x30° 120°x50° / + 30, 50 and 120° circular options | |
| Input | 110-254V 50/60Hz AC only 18-30V AC/DC | 110-254V 50/60Hz AC only 18-30V AC/DC | 110-254V 50/60Hz AC only 18-30V AC/DC |
| Beam Shape | Elliptical or Circular | Elliptical or Circular | |
| Beam Angle System | VARIO interchangeable lens system (elliptical) / Fixed (circular) | VARIO interchangeable lens system (elliptical) / Fixed (circular) | |
| Consumption | 68W | 34W | 34W |
| LED type | Platinum Elite SMT LEDs | Platinum Elite SMT LEDs | Platinum SMT LEDs |
| Number of LEDs | 24 | 24 | 84 |
| Power output (luminous flux) | Up to 5,000 lm – circular beam patterns Up to 4,500 lm – elliptical beam patterns | Up to 2,500 lm – circular beam patterns Up to 2,250 lm – elliptical beam patterns | Equivalent to 2 x 18W T8 fluorescent |
| Wavelength | White-Light (also available in Infra-Red) | White-Light (also available in Infra-Red) | White-Light |
| IP Rating | IP66 and IP67 | IP66 and IP67 | IP66 and IP67 |
| Temperature Range | -50°C to +55°C (-58°F to 131°F) | -50°C to +46°C (-58°F to 114°F) | -20°C to +55°C (-4°F to 131°F) |
| Colour Temperature (White-Light) | 6,000K+ | 6,000K+ | 6,000K+ |
| Colour | Silver/Grey | Silver/Grey | Silver/Grey |
| Weight | 11kg (24.25lbs) | 8kg (17.6lbs) | 6kg (13.2lbs) |
| Dimensions | 348 x 356 x 400mm (1.7 x 14 x 15.7") | 348 x 356 x 400mm (1.7 x 14 x 15.7") | 772 x 108 x 174mm (30.4 x 4.3 x 6.9") |
| Additional Features | CoolExtrude™ Thermal Management Removable PSU and LED modules Smart access wiring system Photocell (optional) T4, T5 and T6 Variants (T4 as standard) | CoolExtrude™ Thermal Management Removable PSU and LED modules Smart access wiring system Photocell (optional) T4 and T5 Variants (T4 as standard) | CoolExtrude™ Thermal Management Removable PSU and LED modules Smart access wiring system Photocell (optional) T4, T5 and T6 Variants (T4 as standard) |

Part Codes

| | | | |
|-------------------------|--|--|----------------------|
| Circular beam pattern | SPX-FLT24-W-1010 SPX-FLT24-W-3030 SPX-FLT24-W-5050 SPX-FLT24-W-120120 | SPX-BLT24-W-1010 SPX-BLT24-W-3030 SPX-BLT24-W-5050 SPX-BLT24-W-120120 | Available on request |
| Elliptical beam pattern | SPX-FLT24-W-3510 SPX-FLT24-W-6025 SPX-FLT24-W-8030 SPX-FLT24-W-12050 | SPX-BLT24-W-3510 SPX-BLT24-W-6025 SPX-BLT24-W-8030 SPX-BLT24-W-12050 | Available on request |

Accessories



SAND BLAST SHIELD KIT



SUSPENSION CORD KIT



POLE CLAMP KIT



M8 EYE BOLT KIT

| | | | | |
|--------------|----------------|---|---|-----------------|
| Part Code | SPX - BKT - SB | SPX - BKT - SC500 SPX - BKT - SC1000 SPX - BKT - SC1500 | SPX - BKT - PC3841 SPX - BKT - PC4245 SPX - BKT - PC4851 SPX - BKT - PC5457 SPX - BKT - PC5962 | SPX - BKT - EYE |
| Description | | 500mm Long, Stainless Steel 1000mm Long, Stainless Steel 1500mm Long, Stainless Steel | 38-41mm Diameter, Stainless Steel 42-45mm Diameter, Stainless Steel 48-51mm Diameter, Stainless Steel 54-57mm Diameter, Stainless Steel 59-62mm Diameter, Stainless Steel | Stainless Steel |
| Suitable for | Flood Bulkhead | Flood Bulkhead Linear | Linear Bulkhead | Linear |



CEILING MOUNTING KIT



WALL MOUNTING KIT

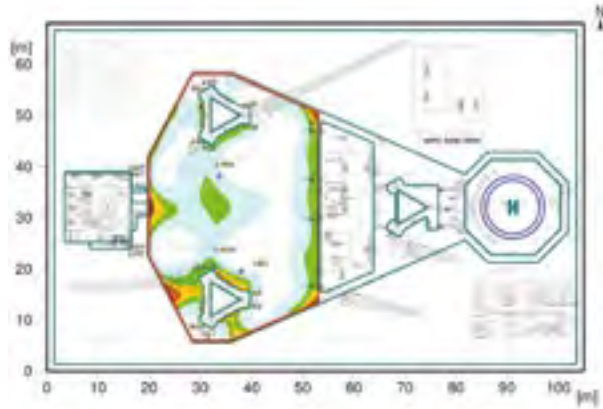


WALL MOUNTING OUTREACH BRACKET



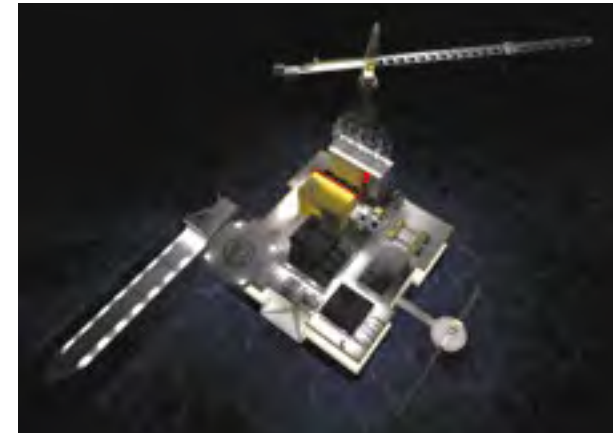
MAGNETIC MOUNTING KIT

| | | | | |
|--------------|-----------------|--|---|-----------------|
| Part Code | SPX - BKT - CM | SPX - BKT - WM30 SPX - BKT - WM45 SPX - BKT - WM60 SPX - BKT - WM90 | SPX - BKT - WMOB84 SPX - BKT - WMOB168 | SPX-BKT-MAG |
| Description | Stainless Steel | 30°, Stainless Steel 45°, Stainless Steel 60°, Stainless Steel 90°, Stainless Steel | | |
| Suitable for | Linear | Linear | Linear | Linear Bulkhead |



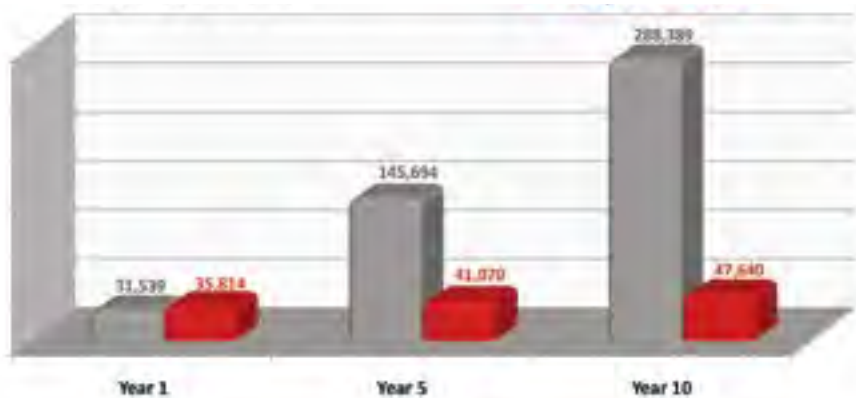
2D Lighting Design

- Detailed plan of the site
- Recommended product type
- Recommended number of lights
- Average, max and min light levels



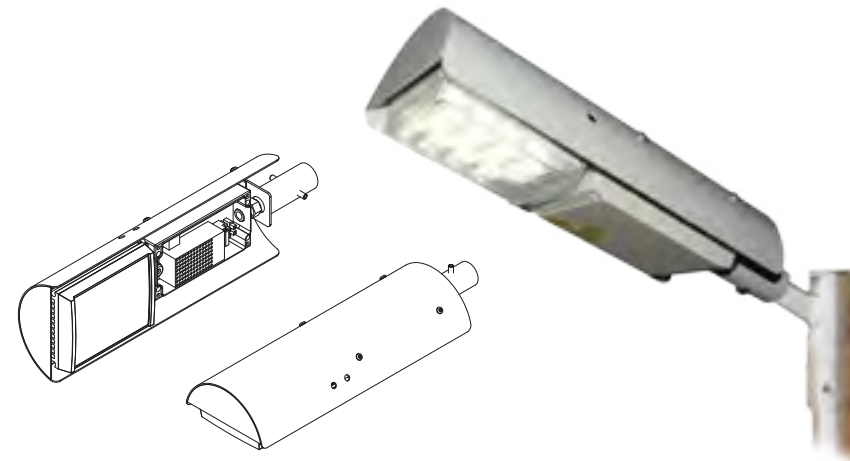
3D Lighting Design

- Visual representation of the site
- Recommended product type
- Recommended number of lights
- Average, max and min light levels



Energy and Cost Saving Report

- Customer specific survey
- Energy, CO2 savings and ROI
- Cost savings over 1,5 and 10 years



Special Operations Division

- Custom-Built Product Design
- Bespoke Projects
- Challenging Applications



Hazardous Area Lighting with Worldwide Certification

Global HQ

T: +44 (0) 1670 520055
F: +44 (0) 1670 819760
hazsales@rayteced.com

Americas

T: +1 613 270 9990
T: +1 888 505 8335 (Toll Free)
ushazsales@rayteced.com

www.rayteced.com